



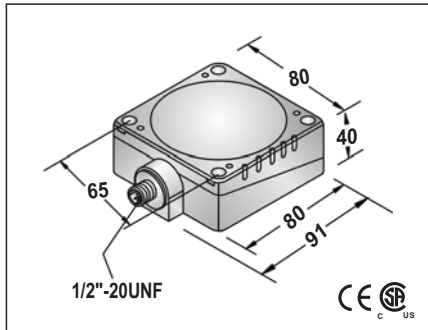






AC/DC INDUCTIVE PROXIMITY SWITCH SQUARE CONNECTOR TYPE

Q80	
●	○
40 mm	50 mm
PBT RESIN	
●	

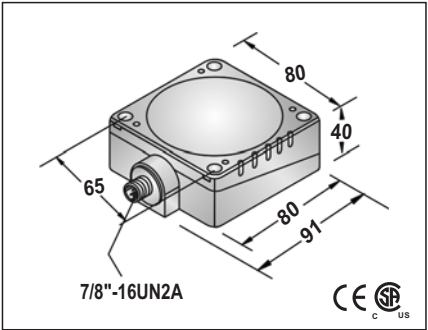


20-250 VAC, 50-60 Hz; 20-250 VDC
DC RIPPLE <10%
<2.5mA
200mA
<2.5mA
2.2A for 20ms
5mA
<=10 VAC : <=8 VDC
25HZ AC; 40 Hz DC
10ms/10ms
<15% (Sr)
<1.0% (Sr)
IP67
-25 °C - +70 °C
<10% (Sr)
YES
-
-
RFI>3V/m / EFT>1KV / ESD>4KV (contact)
IEC 60947-5-2,Part 7.4.1 / IEC 60947-5-2,Part 7.4.2
PBT

FQP1-8040U-AUL3T	54	FQP2-8050U-AUL3T
FQP1-8040U-BUL3T	54	FQP2-8050U-BUL3T

Approx.85 g

Q80	
●	○
40 mm	50 mm
PBT RESIN	
●	



20-250 VAC, 50-60 Hz; 20-250 VDC
DC RIPPLE <10%
<2.5mA
200mA
<2.5mA
2.2A for 20ms
5mA
<=10 VAC : <=8 VDC
25HZ AC; 40 Hz DC
10ms/10ms
<15% (Sr)
<1.0% (Sr)
IP67
-25 °C - +70 °C
<10% (Sr)
YES
-
-
RFI>3V/m / EFT>1KV / ESD>4KV (contact)
IEC 60947-5-2,Part 7.4.1 / IEC 60947-5-2,Part 7.4.2
PBT

FQP1-8040U-AZL2T	62	FQP2-8050U-AZL2T
FQP1-8040U-BZL2T	62	FQP2-8050U-BZL2T

Approx.85 g